

## Edge Protection Seal Profiles

Material Combination PVC / EPDM

### SPECIFICATION

#### Types

- Type **A**: Upper seal profile
- Type **D**: Side seal profile

Clamping profile

Polyvinyl Chloride (PVC)

- Black
- Hardness 70±5 Shore A

Sealing profile

Ethylene propylene diene rubber (EPDM)

Hardness 25±5 Shore A

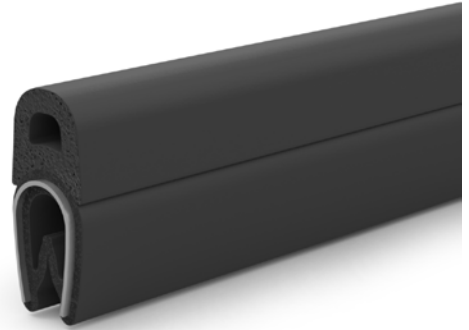
Clamp insert

Steel clamping band

Black

Temperature resistant -40 °C to 90 °C

Weather exposure



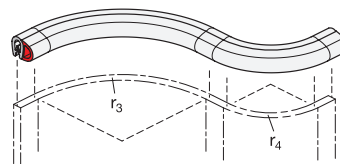
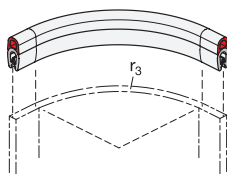
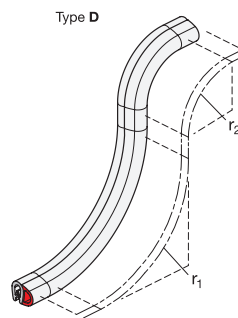
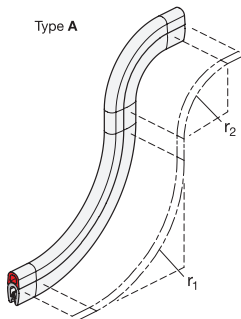
### INFORMATION

Edge protection seal profiles GN 2182 can be used to seal doors, covers and hatches. The profiles are pressed by hand onto the front of metal sheets and plates. The embedded clamp insert prevents detachment. Glue or other adhesives are not required.

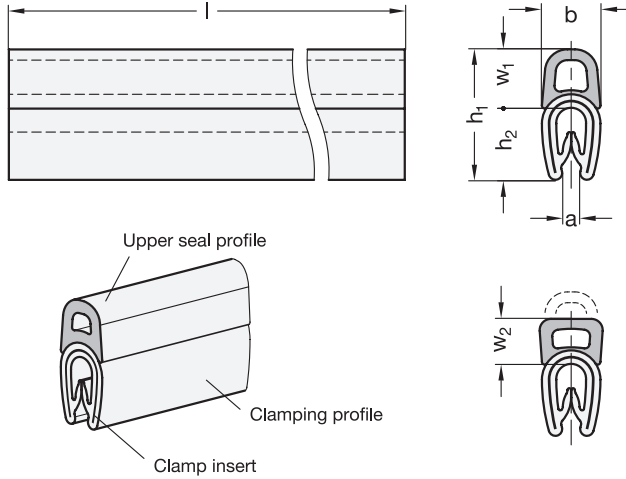
When assembled, the profile should deform slightly according to  $w_2$ . This ensures an optimal seal. Adherence to the guideline placement radii ( $r_1$ ...  $r_4$ ) is recommended in order to ensure a tight profile seal and to make assembly easier.

### TECHNICAL INFORMATION

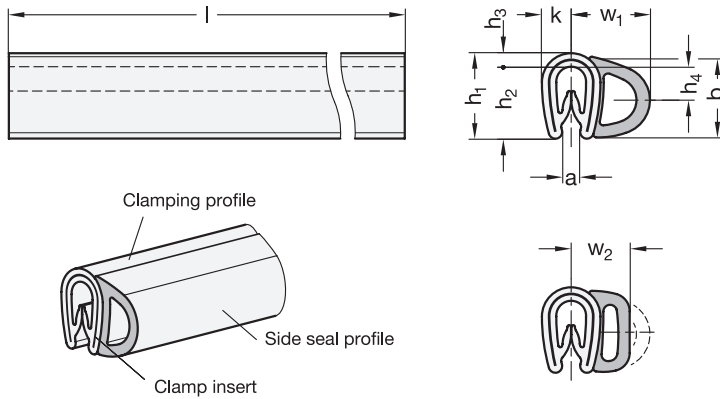
- Plastic Characteristics (see page A2)



Type A



Type D



GN 2182-A

Description	h <sub>1</sub>	Length l in meter	a	b	h <sub>2</sub>	r <sub>1</sub>	r <sub>2</sub>	r <sub>3</sub>	w <sub>1</sub>	w <sub>2</sub> up to 50% permissible deformation	⚖️
GN 2182-14,5-A-20	14.5	20	1-2	6.5	8	40	20	10	6.5	5.25	1700
GN 2182-14,5-A-50	14.5	50	1-2	6.5	8	40	20	10	6.5	5.25	4100

GN 2182-D

Description	h <sub>1</sub>	Length l in meter	a	b	h <sub>2</sub>	h <sub>3</sub>	h <sub>4</sub>	k	r <sub>1</sub>	r <sub>2</sub>	r <sub>3</sub>	r <sub>4</sub>	w <sub>1</sub>	w <sub>2</sub> up to 50% permissible deformation	⚖️
GN 2182-9,5-D-20	9.5	20	1-2	9	8	1.5	4	3.25	15	20	30	50	8.75	6.75	1650
GN 2182-9,5-D-50	9.5	50	1-2	9	8	1.5	4	3.25	15	20	30	50	8.75	6.75	4100

